

# SK225 The controller



## The sensitive rough controller

The controller is sensitive in its motion but designed for rough applications. Aside the motion of a normal joystick the controller can be rotated continuously. 20 detents offer a sensitive rotating functionality with a good user-feedback. For confirmation the handle can be pushed like a button. An integrated multi-coloured LED illumination ring allows various feedback options.

The highly precise hall effect sensors communicate via an I<sup>2</sup>C interface. The controller captivates with nearly no installation depth.

This multifunctional austerity gives the controller the ability to fit in a wide range of applications.

Please contact us, it will be our pleasure to suggest an individual joystick solution for your specific needs. Your solution is our standard.

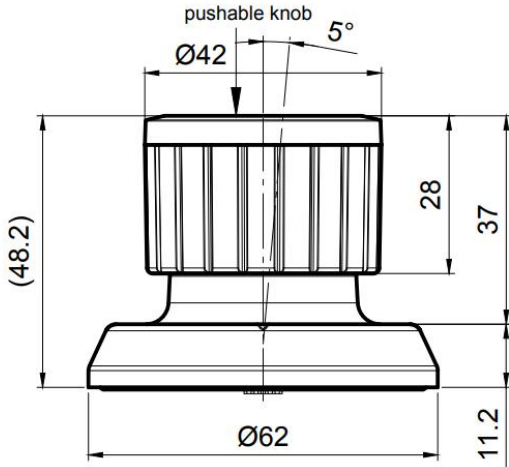
## Technical specification

Axes	3 axes
Rotation	360° continuous rotation with 20 detents
Deflection angle	5° per semiaxis, self-centering
Push button	Press down whole knob – snap dome
Options	Without steps, without deflection in X and Y axes
Height above panel	48mm (~1.89in)
Mounting depth	0mm (0in), top mounted
Panel cut-out	Ø 40mm (1.57in)
Bolt circle	53mm (2.1in) with 4 x K30 self-tapping screws
Technology	Hall-effect sensors
Operating voltage	3.3 - 5V DC
Output signal	I <sup>2</sup> C (standard), ask for options
Connection	Molex PicoBlade 4-pin connector
Durability	Up to 3 million full cycles, push button up to 1 million
Operation temperature	-30° - +80°C
Storage temperature	-40° - +85°C
IP protection class	IP67 (above panel)
Fire protection	UL94-V0
Illumination	Up to 150 cd /m <sup>2</sup>
Operating force	Push button 11N, X and Y axes 3 N breakout
Max. allowed force	> 250N
Application examples	Medical devices, display control, vehicles

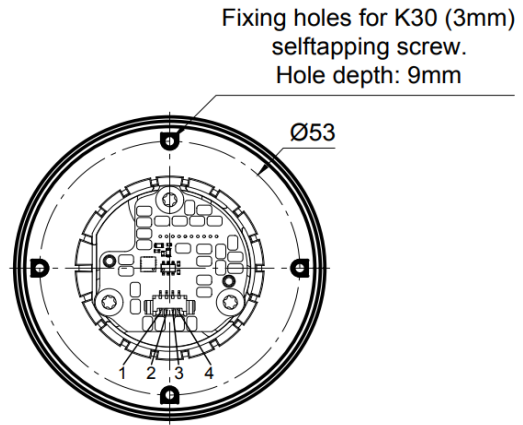


# SK225 technical drawings

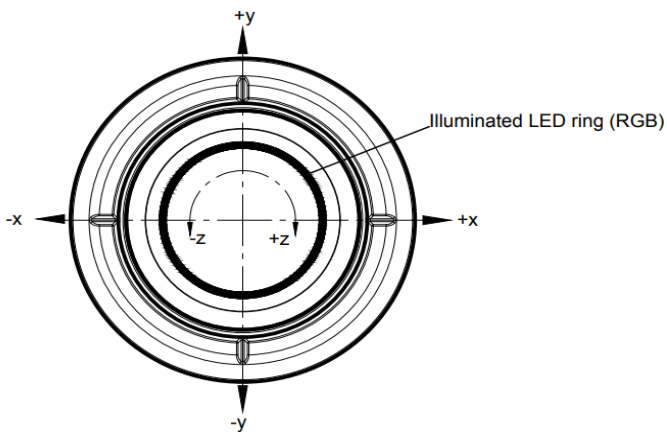
**Side view**



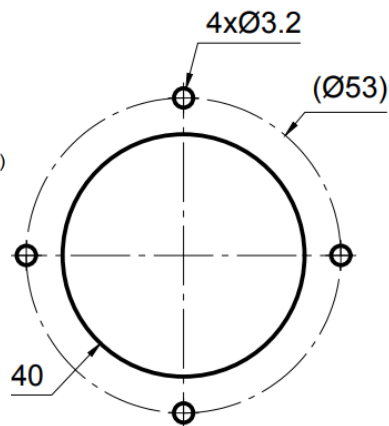
**Fixation**



**Plan view**



**Panel cut-out**



For more information please visit [www.gengethoma.ch](http://www.gengethoma.ch) or contact us.

