

SK225 The round one



The precision controller

The SK 225 precision motion controller is designed for rough applications. In addition to the movement of a normal joystick, the entire knob can be continuously rotated 360 degrees while 20 clearly noticeable detents provide operator feedback.

A programmable, integrated, multi-coloured led ring along with a built-in push button are just a few of its unique features.

The controller impresses with no installation depth. This multifunctional controller has the ability to fit in a wide range of applications.

Please contact us, it will be our pleasure to suggest an individual joystick solution for your specific needs. Your custom solution is our standard.

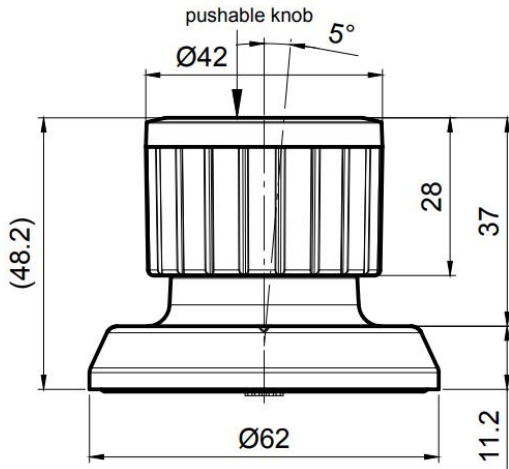
Technical specification

Axes	3 axes
Rotation	360° continuous rotation with 20 detents
Deflection angle	5° per semiaxis, self-centering
Push button	Press down whole knob – snap dome
Options	Without steps, without deflection in X and Y axes
Height above panel	48mm (~1.89in)
Mounting depth	0mm (0in), top mounted
Panel cut-out	Ø 40mm (1.57in)
Bolt circle	53mm (2.1in) with 4 x K30 self-tapping screws
Technology	Hall-effect sensors
Operating voltage	3,3-5V DC
Output signal	I ² C (standard), ask for options
Connection	Molex PicoBlade 4-pin connector
Durability	Up to 3 million full cycles, push button up to 1 million
Operation temperature	-30° - +70°C
Storage temperature	-40° - +85°C
IP protection class	IP67 (above panel)
Fire protection	UL94-V0
Illumination	Up to 150 cd /m ² RGB
Application examples	Medical devices, display control, vehicles, industrial machines

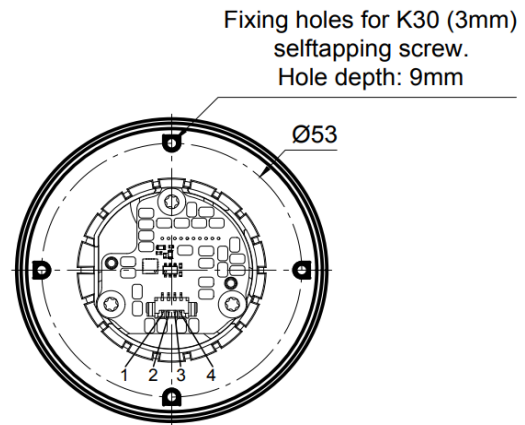


SK225 technical drawings

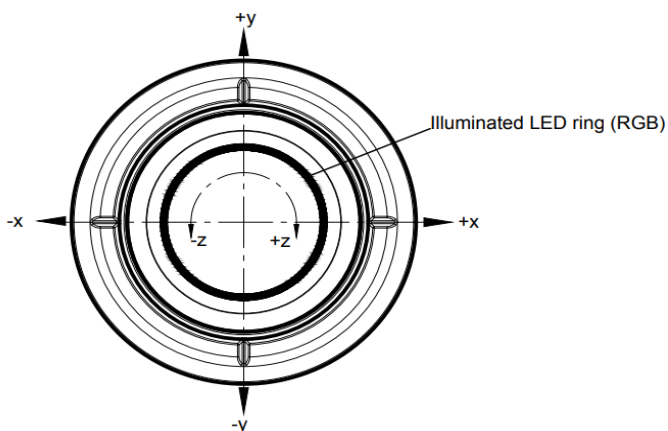
Side view



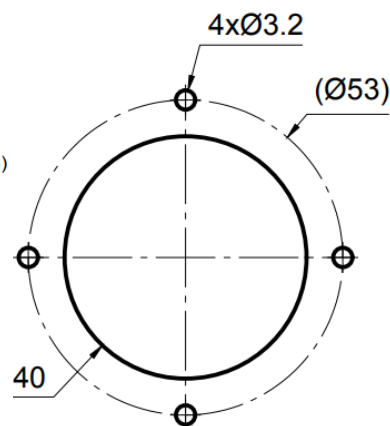
Mounting



Top view



Panel cut-out



For more information please visit www.gtjoysticks.ch or contact us.

