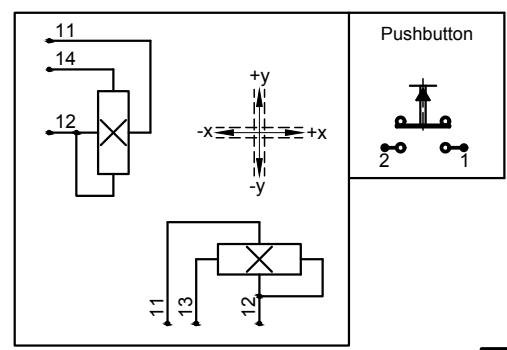
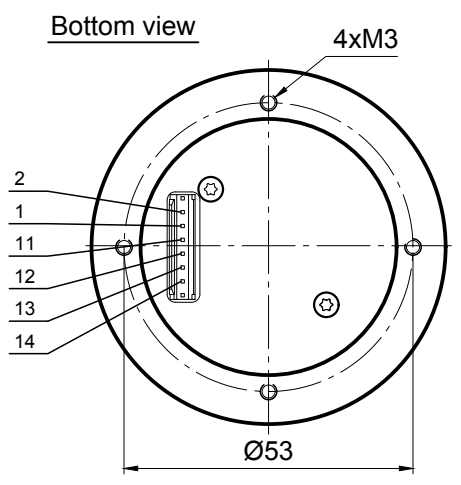


Description		
Joystick type SK 60-01283		
Number of axes	2-axes, x-axis, y-axis both axes with friction brake	
Operation by	Goblet top, handle with pushbutton	
Cross guidance	soft	
Switch function	none	
Retaining spring	normal, Z-Nr. 60-112	
Connector: DUBOX Walled Header	8-poles: 76384-308	
Mating connector: Dubox Housing Anti-rotation locking	8-poles: 65240-008	
Electrical characteristics		
Operating voltage	5 V DC	
Sensor	Hall Effect technology	
Pushbutton capacity	24 V DC, 3A	
Pin		
11	Supply voltage	
12	Ground	
13	x (-x=0.5V, middle=2.5V, +x=4.5V)	
14	y (-y=0.5V, middle=2.5V, +y=4.5V)	
Pushbutton in handle		
Switch	Contact	2
	open	1



PRELIMINARY		Maßstab 1:1	Position - Menge -
23.11.20		All dimensions in mm	
	Datum	Name	Joystick
	Bearb. 23.11.20	Kiener M.	
	Gepr.		
	Norm		
Genge & Thoma AG joysticks & sensors			60-01283
Blatt -			
BI			