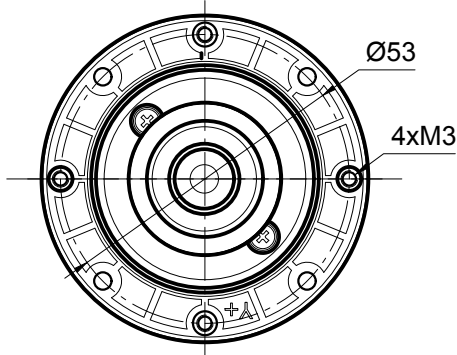


Bottom view

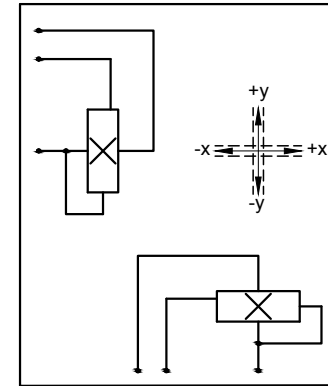


Description	
Joystick type SK 60-01278	
Number of axes	2-axes, x-, y-axis
Operation by	Rubber bellow
Cross guidance	soft
Switch function	none
Retaining spring	strong, Z-Nr. 50-116
Cable	Aco Colorflex XY, 4 x 0,34 mm ² , DIN47100

Electrical characteristics	
Operating voltage	8-36 V DC
Sensor	Hall effect technology

Pin		
01	Ground	white
02	CAN_L	brown
03	CAN_H	green
04	VCC (8-36V Supply)	yellow

Parameters		
G&T P/N	60-01278	
Data communication	CANopen	
CAN ID	3	
Baudrate	250 kbit/s	



PRELIMINARY		Maßstab 1:1	Position - Menge -
29.10.20		All dimensions in mm	
	Datum	Name	Joystick
	Bearb. 29.10.20	Kiener M.	
	Gepr.		
	Norm		
Genge & Thoma AG joysticks & sensors			Blatt -
			60-01278
Idx	Änderungen	Datum	B'arb. Gepr. S:\Entwicklung\01_CAD-Daten\02_DWG\Dwg_SK60\Typenzeichnungen\60-01278.dwg