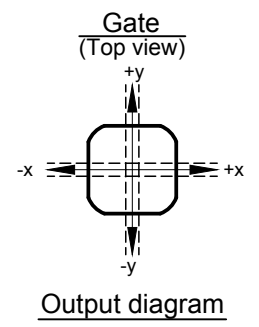
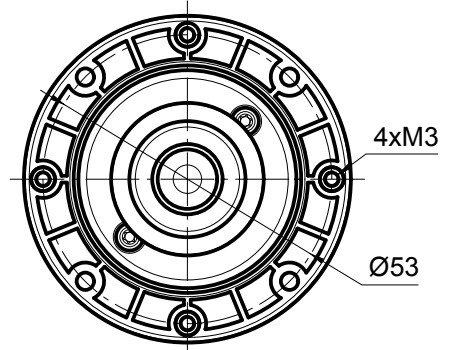
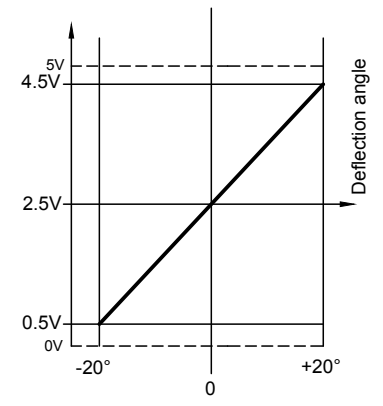


Bottom view



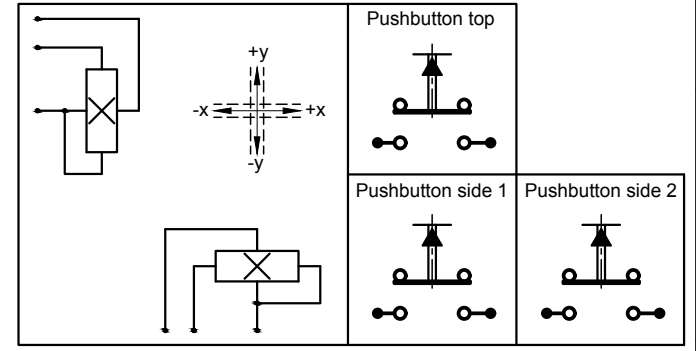
Output diagram



Description	
Joystick type SK 60-01211	
Number of axes	2-axes, x-axis, y-axis
Operation by	Handle with 3 pushbuttons
Cross guidance	soft
Switch function	none
Retaining spring	strong, Z-Nr. 50-116
Cable	Aco Colorflex XY, 4 x 0,34 mm ² , DIN47100

Electrical characteristics	
Operating voltage	8-36 V DC
Sensor	Hall effect technology
Data communication	CANopen / 500 kbit/s
Can ID	1

Pin		
1	Ground	white
2	CAN_L	brown
3	CAN_H	green
4	VCC (8-36V Supply)	yellow



PRELIMINARY		Maßstab 1:1	Position - Menge -
28.08.18		All dimensions in mm	
	Datum	Name	Joystick
	Bearb. 28.08.18	Kiener M.	
	Gepr.		
	Norm		
Genge & Thoma AG joysticks & sensors			Blatt -
			60-01211
Idx	Änderungen	Datum	B'arb. Gepr. S:\Entwicklung\01_CAD-Daten\02_DWG\Dwg_SK60\Typenzeichnungen\60-01211.dwg