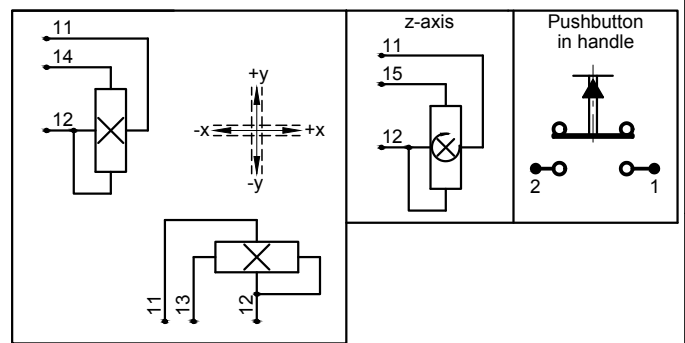


Description	
Joystick Type SK 60-01106	
Number of axes	3-axes, x-axis, y-axis, z-axis
Operation by	Handle with z-axis and pushbutton
Cross guidance	soft
Retaining spring	strong Z-Nr. 50-116
Connector: DUBOX Walled Header	8-poles: 76384-308
Mating connector: Dubox Housing	8-poles: 65240-008

Electrical characteristics	
Operating voltage	5V DC
Sensor	Hall effect technology
Type of switches	Short-stroke switch

Pin	
11	Supply voltage 5V DC
12	Ground
13	x (-x=0.5V, middle=2.5V, +x=4.5V)
14	y (-y=0.5V, middle=2.5V, +y=4.5V)
15	z (-z=0.5V, middle=2.5V, +z=4.5V)

Switch in handle			
Switch	Contact	2	
	open	1	



**PRELIMINARY**  
08.10.15

Masstab 1:1    Position -    Menge -

Datum	Name
Bearb. 08.10.15	Kiener M.
Gepr.	
Norm	

**Joystick**

**Genge & Thoma AG**  
joysticks & sensors

**60-01106**

Blatt -  
BI

Zust. Änderungen    Datum    Name    S:\Entwicklung\01\_CAD-Daten\02\_DWG\DWG\_SK60\Typenzeichnungen\60-01106.dwg