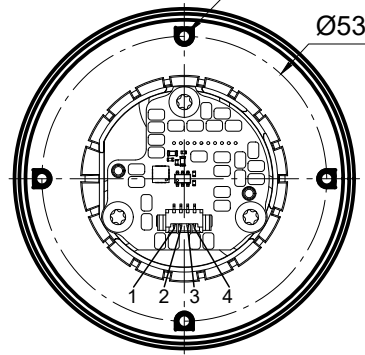
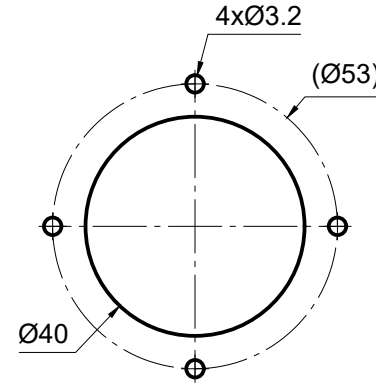


Fixing holes for K30 (3mm)
selftapping screw.
Hole depth: 9mm



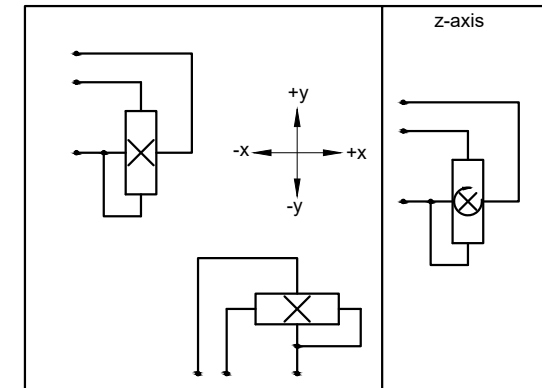
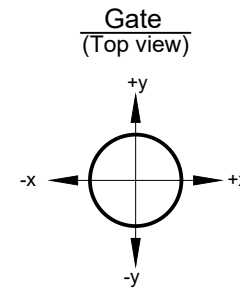
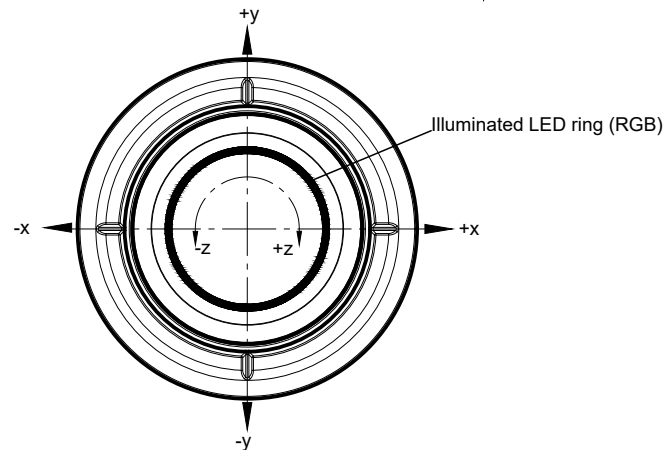
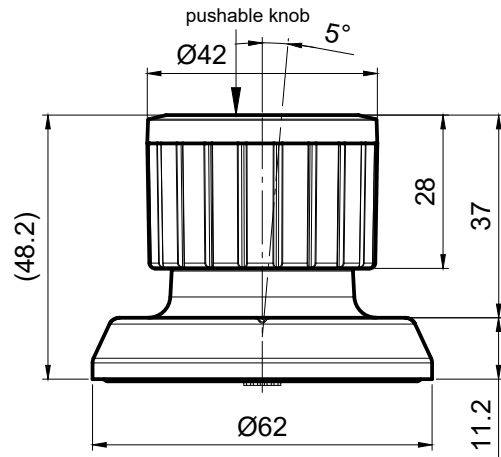
Panel cut-out



Jog-Dial type 225-013	
Number of axes	3-axes, x-, y (5° per side), z-axis
Operation by	knob with z-axis (fully rotatable)
Pushbutton	entire knob pushable (Travel: 0.5mm)
Cross guidance	none
Retaining spring	Strong, P/N: 200457
Detents	z-axis: 20 detents (18°)
Connector	Molex PicoBlade 4-pin

Electrical characteristics	
Operating voltage	4.2 ±0.2 V DC
Sensor	Hall effect technology
Data communication	I ² C-bus

Connector pinout	
1	GND
2	SDA
3	SCL
4	VCC



		Maßstab 1:1		Position - Menge -	
		All dimensions in mm			
		Datum		Name	
		Bearb. 09.03.20		Kiener M.	
		Gepr. 09.10.20		AG	
		Norm			
				RCC	
		Genge & Thoma AG joysticks & sensors		225-013	
				Blatt -	
				Bl	
Idx	Änderungen	Datum	B'arb.	Gepr.	S:\Entwicklung\01_CAD-Daten\02_DWG\02_SK225\Typenzeichnungen\225-013.dwg