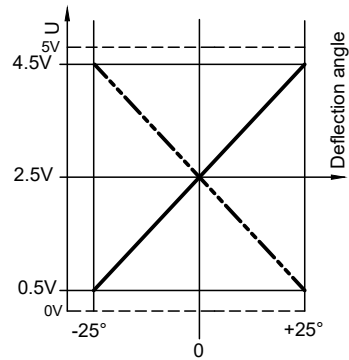


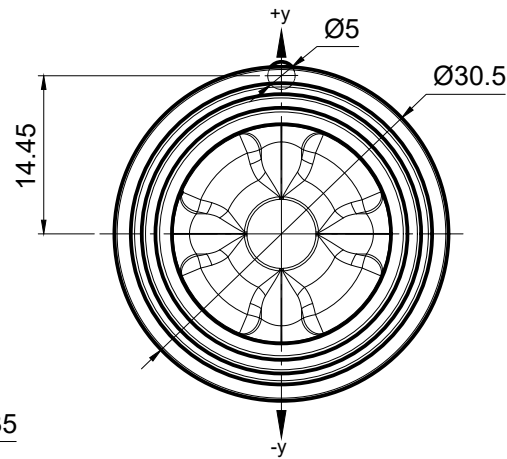
Output diagram
(y1-, y2-axis)



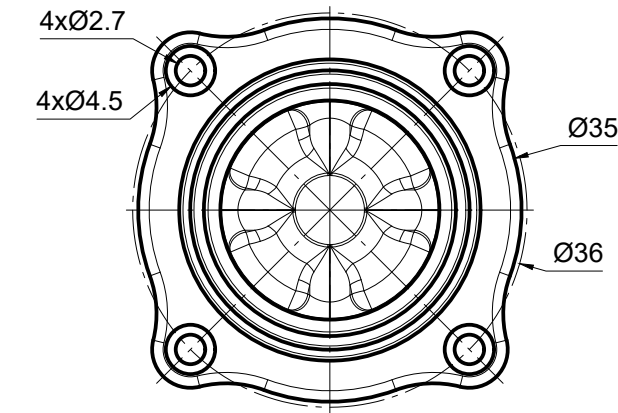
Gate
(Top view)



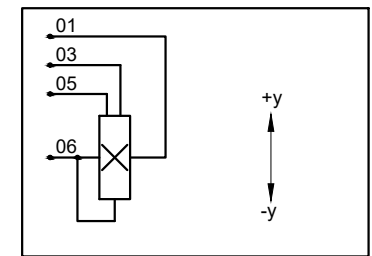
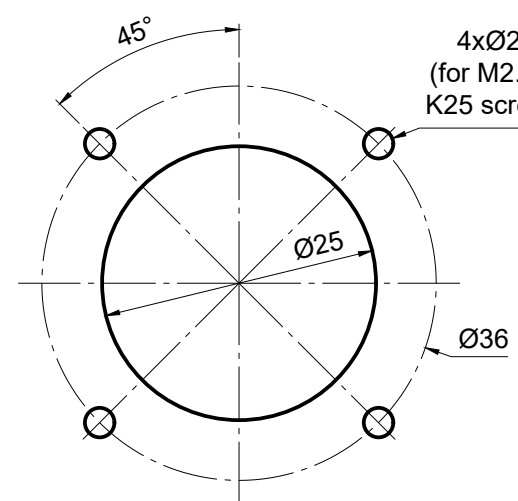
Top view
(without mounting flange)



Description	
Joystick type SK 220-018	
Number of axes	1-axes, y-axis redundant
Operation by	Handle
Cross guidance	none
Retaining spring	normal, P/N: 200425
Connector:	JST EHR-6, 6 poles, P/N: 100629 6 wires, AWG28, length: 80mm
Electrical characteristics	
Operating voltage	5 V DC
Sensor	Hall Effect technology
Pin	
01	red Supply voltage
02	green Do not use
03	white y1 (-y=0.5V, middle=2.5V, +y=4.5V)
04	yellow Do not use
05	violet y2 (-y=4.5V, middle=2.5V, +y=0.5V)
06	blue Ground



Panel cutout



		Maßstab 2:1 All dimensions in mm	Position - Menge -
Datum Name Bearb. 04.11.20 Kiener M. Gepr. 30.11.21 CH Norm		Joystick	
Genge & Thoma AG joysticks & sensors		220-018	Blatt - Bl
Idx	Änderungen	Datum	B'arb., Gepr.
S:\Entwicklung\01_CAD-Daten\02_DWG\DWG_SK220\Typenzeichnungen\220-018.dwg			