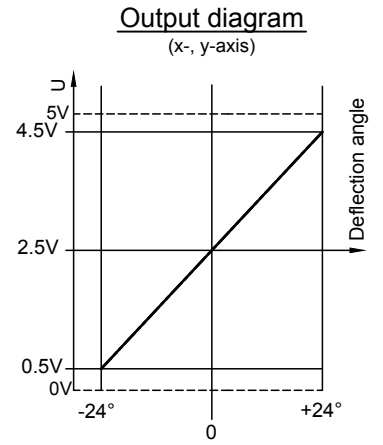
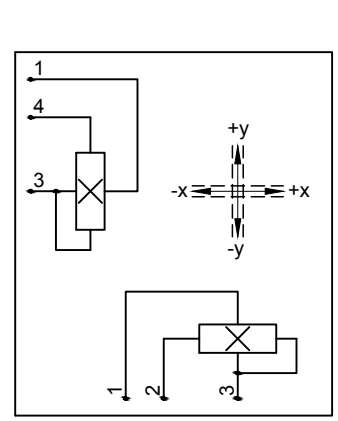


Description	
Joystick type 212-008	
Number of axes	2-axes, x-axis, y-axis
Operation by	Multifunction handle
Cross guidance	soft
Retaining spring	normal, P/N: 200385
Cable	Aco Colorflex XY, 8 x 0.34 mm ²

Electrical characteristics	
Operating voltage	5 V DC
Sensor	Hall effect technology
Pushbutton	APEM IA, 24 V DC, 2A, P/N: 100277.03
Safety applications	Safety relevant applications may need special features not described in this sheet

Pin		
1	red	Supply voltage (5 V DC)
2	yellow	x (-x=0.5V, middle=2.5V, +x=4.5V)
3	black	Ground
4	green	y (-y=0.5V, middle=2.5V, +y=4.5V)
5	violet	Pushbutton 1
6	brown	Pushbutton 2
7	blue	Pushbutton common



Preliminary		Maßstab 1:1	Position -	Menge -
30.06.20				
Datum	Name	Joystick		
Bearb. 01.05.18	Kiener M.			
Gepr.				
Norm				
Genge & Thoma AG joysticks & sensors		212-008		Blatt -
				Bl